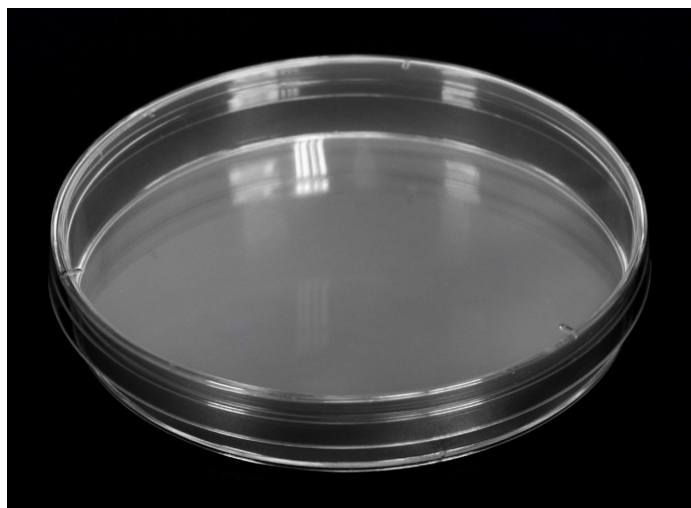


KORD-Valmark™

Labware Products

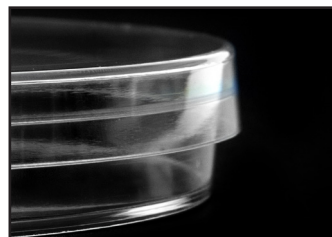
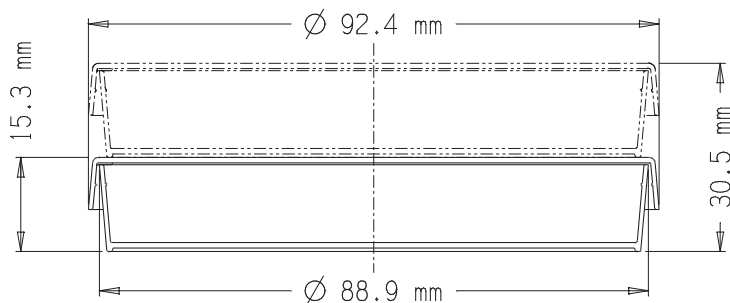
by Bioplast Manufacturing



2920 - 100 x 15 mm Slippable Petri Dish

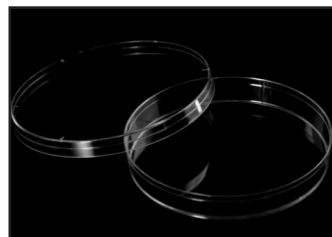
- Suitable for automated equipment (no stacking rim on lid)
- Clear top and bottom viewing surfaces
- Disposable (single use) polystyrene petri dish for general microbiological use
- Molded from medical-grade virgin polystyrene
- Optically clear
- Radiation sterilized
- Contents sterile if sleeve is unopened
- Ventilation ribs allow for free air circulation and reduce condensation during incubation
- Consistent flatness allows for even media distribution
- Flared lid skirt and squared corners for easy one-hand operation, especially with gloves
- Certificates of Sterilization Processing available upon request
- Traceable by lot and SKU number
- Certificates of Compliance available upon request

| Rim Feature | Code | Nominal Size (mm) | Style | ISO Mark Target |
|-------------|------|-------------------|-------|-----------------|
| No Rim | 2920 | 100 x 15 | Mono | No |



Lid with no rim is ideal for use in automated equipment

| Dishes/ Sleeve | Dishes/ Box | Box/ Pallet | Box Dimensions | | | Box Cubic | Box Weight |
|-------------------|----------------|----------------|----------------|----------|----------|----------------------|---------------|
| | | | L | W | H | | |
| 25 | 500 | 30 | 19.25 in | 15.50 in | 16.00 in | 2.76 ft ³ | 20.98 lbs |
| | | | 48.90 in | 39.37 cm | 40.64 cm | 0.08 m ³ | 9.51 kgs |



Disposable (single use) polystyrene petri dish for general microbiological use

BIOPLAST MANUFACTURING, L.L.C.

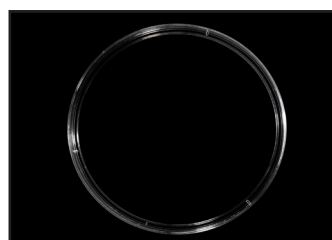
128 WHARTON ROAD • BRISTOL, PA 19007

CUSTOMER SERVICE

TOLL FREE: 877-877-9680

EMAIL: SALES@BIOPLASTMFG.COM

WWW.KORD-VALMARK.COM



Manufactured to the highest quality for consistent flatness and even media distribution



KORD-Valmark™

Labware Products

by Bioplast Manufacturing

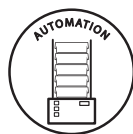
Manufactured to the highest quality
for consistent flatness- radiation
sterilized

Ventilation Ribs allow for full air
circulation and reduce condensation
during incubation

Flared lid Skirt and squared corners
for easy one-hand operation,
especially with gloves



| Stackable Petri Dishes for General Use | | | | | | | |
|--|---------|-------|-------------|--------------------|---------------|-------------|------------|
| Nominal Size (mm) | KV Code | Style | Rim Feature | Unique Feature | Dishes/Sleeve | Dishes/Case | Cases/Skid |
| 60 x 15 | 2901 | Mono | Stackable | Media Saver | 20 | 500 | 72 |
| 100 x 15 | 2900 | Mono | Stackable | Industry Standard | 25 | 500 | 30 |
| 100 x 15 | 2903 | Bi | Stackable | Two Compartments | 25 | 500 | 30 |
| 100 x 15 | 2912 | Tri | Stackable | Three Compartments | 25 | 500 | 30 |
| 100 x 15 | 2913 | Quad | Stackable | Four Compartments | 25 | 500 | 30 |
| 100 x 25 | 2906 | Mono | Stackable | Extra Deep Dish | 17 | 340 | 30 |



| Automation Petri Dishes (Slippable / No Rim Lid Designs) | | | | | | | | | |
|--|---------|---------------|---------------------------|---|-----------------|---------------|-------------|------------|--|
| Nominal Size (mm) | KV Code | Style | Rim Feature | Unique Feature | Iso Mark Target | Dishes/Sleeve | Dishes/Case | Cases/Skid | |
| 60 x 15 | 2916 | Mono | Slippable | Media Saver | No | 20 | 500 | 72 | |
| 95 x 15 | 2914 | Mono | Slippable | Media Saver | No | 25 | 500 | 30 | |
| 100 x 10 | 2904 | Mono | Slippable | Space Saver | No | 30 | 750 | 24 | |
| 100 x 15 | 2910 | Mono | Slippable | The Industry Standard | Yes | 25 | 500 | 30 | |
| 100 x 15 | 2917 | Mono | Slippable | Clear Viewing Surfaces | No | 25 | 500 | 30 | |
| 100 x 15 | 2920 | Mono | No Rim | Automated Lid | No | 25 | 500 | 30 | |
| 100 x 15 | 2911 | Bi | Slippable | Two Compartments | Yes | 25 | 500 | 30 | |
| 100 x 20 | 2905 | Mono | Slippable | Deep Dish, 20mm | Yes | 20 | 400 | 30 | |
| 100 x 25 | 2909 | Mono | Slippable | Extra Deep for Seed Germination Tests | No | 17 | 340 | 30 | |
| 85 x 13 | 2950 | Mono | Fully Stackable/Slippable | New 85 x 13 Ultra Plate | Yes | 30 | 600 | 30 | |
| 150 x 15 | 2902 | Mono | No Rim | Concentric Bottom Ring Ensures Even Media Depth | No | 10 | 100 | 40 | |
| 65x15 | 1000 | Contact Plate | Slippable | Convex Bottom | No | 25 | 500 | 63 | |
| 100x15 | 3012 | Tri | Slippable | Three Compartments | Yes | 25 | 500 | 30 | |
| 100x15 | 3013 | Quad | Slippable | Four Compartments | Yes | 25 | 500 | 30 | |
| 100x10 | 3044 | Mono | Slippable | Space Saver | Yes | 30 | 750 | 24 | |
| 100x10 | 4004 | Mono | No Rim | Media Saver | No | 30 | 750 | 24 | |
| 100x20 | 4005 | Mono | No Rim | Deep Dish | Yes | 20 | 400 | 30 | |
| 100x25 | 4006 | Mono | No Rim | Extra Deep for Seed Germination Tests | No | 17 | 340 | 30 | |
| 100x15 | 4010 | Mono | No Rim | ISO | Yes | 25 | 500 | 30 | |
| 100x15 | 4011 | Bi | No Rim | Two Compartments | Yes | 25 | 500 | 30 | |
| 100x15 | 4012 | Tri | No Rim | Three Compartments | Yes | 25 | 500 | 30 | |
| 100x15 | 4013 | Quad | No Rim | Four Compartments | Yes | 25 | 500 | 30 | |