

**AUTOMATION**



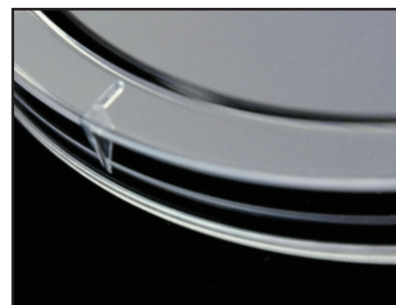
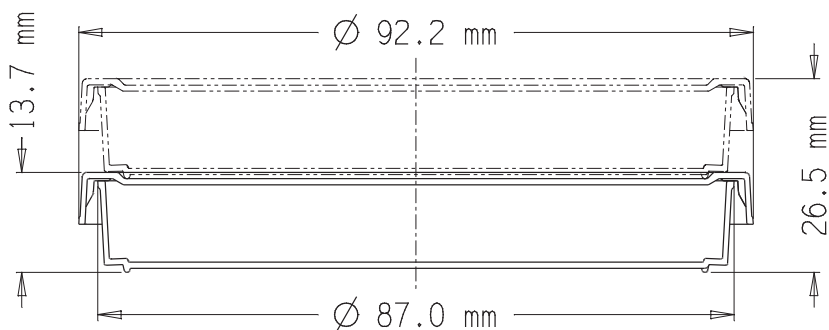
### 2950 - 85 x 13 mm Ultra Plate

- Smaller base diameter reduces media use compared to a standard 100 mm dish
- Fully stackable lid is also slippable for use in automation
- ISO Mark Target for orientation in automated filling and streaking equipment
- Space saver lid allows 600 dishes in a standard case (compared to 500 dishes)
- Nominal 100 mm lid diameter
- Disposable (single use) polystyrene petri dish for general microbiological use
- Molded from medical-grade virgin polystyrene
- Optically clear
- Radiation sterilized
- Contents sterile if sleeve is unopened
- Ventilation ribs allow for free air circulation and reduce condensation during incubation
- Certificates of Sterilization Processing available upon request
- Traceable by lot and SKU number
- Certificates of Compliance available upon request

\*media not included



Rim Feature	Code	Nominal Size (mm)	Style	ISO Mark Target
Fully Stackable/Slippable	2950	85 x 13	Mono	Yes



Indented lid is both fully stackable and slippable for use in automated equipment



Manufactured to the highest quality for consistent flatness and even media distribution

Dishes/Sleeve	Dishes/Box	Box/Pallet	Box Dimensions			Box Cubic	Box Weight
			L	W	H		
30	600	30	19.25 in	15.50 in	16.00 in	2.76 ft <sup>3</sup>	23.89 lbs
			48.90 cm	39.37 cm	40.64 cm	0.08 m <sup>3</sup>	8.41 kgs



ISO Mark Target for orientation in automated filling and streaking equipment



Manufactured to the highest quality for consistent flatness – radiation sterilized

Ventilation Ribs allow for full air circulation and reduce condensation during incubation

Flared lid Skirt and squared corners for easy one-hand operation, especially with gloves

### Stackable Petri Dishes for General Use

Nominal Size (mm)	K-V Code	Style	Rim Feature	Unique Feature	Dishes/Sleeve	Dishes/Case	Cases/Skid
60 x 15	2901	Mono	Stackable	Media Saver	20	500	72
100 x 15	2800	Mono	Fully Stackable	Stable Stacking Design	25	500	30
100 x 15	2900	Mono	Stackable	<b>The Industry Standard</b>	<b>25</b>	<b>500</b>	<b>30</b>
100 x 15	2903	Bi	Stackable	Two Compartments	25	500	30
100 x 15	2912	Tri	Stackable	Three Compartments	25	500	30
100 x 15	2913	Quad	Stackable	Four Compartments	25	500	30
100 x 25	2906	Mono	Stackable	Extra Deep Dish	17	340	30

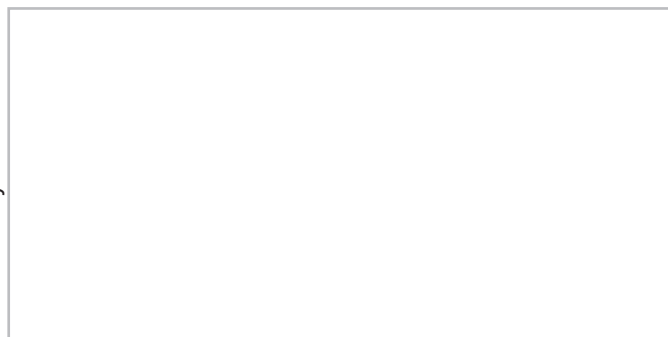


### Automation Petri Dishes (Slippable / No Rim Lid Designs)

Nominal Size (mm)	K-V Code	Style	Rim Feature	Unique Feature	ISO Mark Target	Dishes/Sleeve	Dishes/Case	Cases/Skid
60 x 15	2916	Mono	Slippable	Media Saver	No	20	500	72
95 x 15	2914	Mono	Slippable	Media Saver	No	25	500	30
100 x 10	2904	Mono	Slippable	Space Saver	No	30	750	24
100 x 15	1920	Mono	No Rim	Automated Lid	No	25	480	30
100 x 15	2910	Mono	Slippable	<b>The Industry Standard</b>	<b>Yes</b>	<b>25</b>	<b>500</b>	<b>30</b>
100 x 15	2917	Mono	Slippable	Clear Viewing Surfaces	No	25	500	30
100 x 15	2920	Mono	No Rim	Automation Lid	No	20	500	30
100 x 15	2911	Bi	Slippable	Two Compartments	Yes	25	500	30
100 x 20	2905	Mono	Slippable	Deep Dish, 20mm	Yes	20	400	30
100 x 25	2909	Mono	Slippable	Extra Deep for Seed Germination Tests	No	17	340	30
85 x 13	2950	Mono	Fully Stackable/Slippable	New 85 x 13 Ultra Plate	Yes	30	600	30
150 x 15	2902	Mono	No Rim	Concentric Bottom Ring Ensures Even Media Depth	No	10	100	40



Distributed By:



#### Contact Us!

**Bioplast Manufacturing, L.L.C.**  
128 Wharton Road - Bristol, PA - 19007

#### Customer Service:

Toll Free: 877.877.9680

E-mail: [sales@bioplastmfg.com](mailto:sales@bioplastmfg.com)

